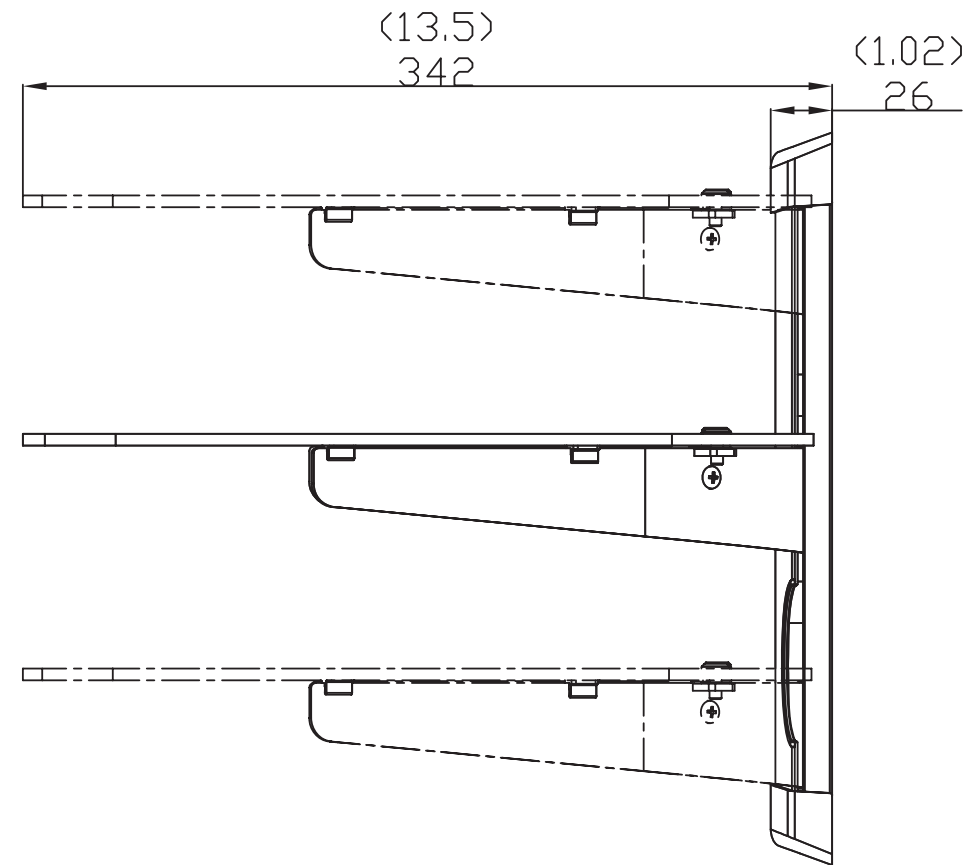
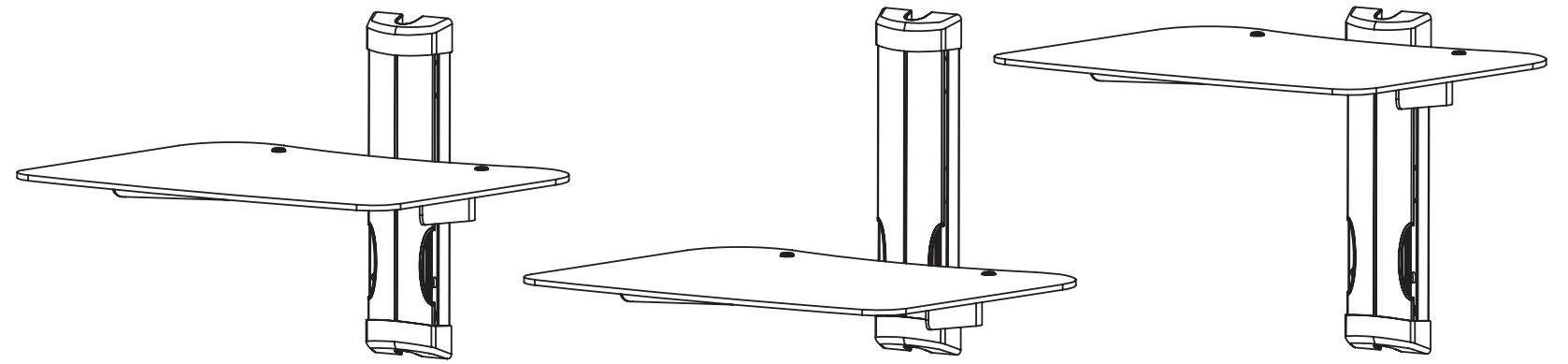
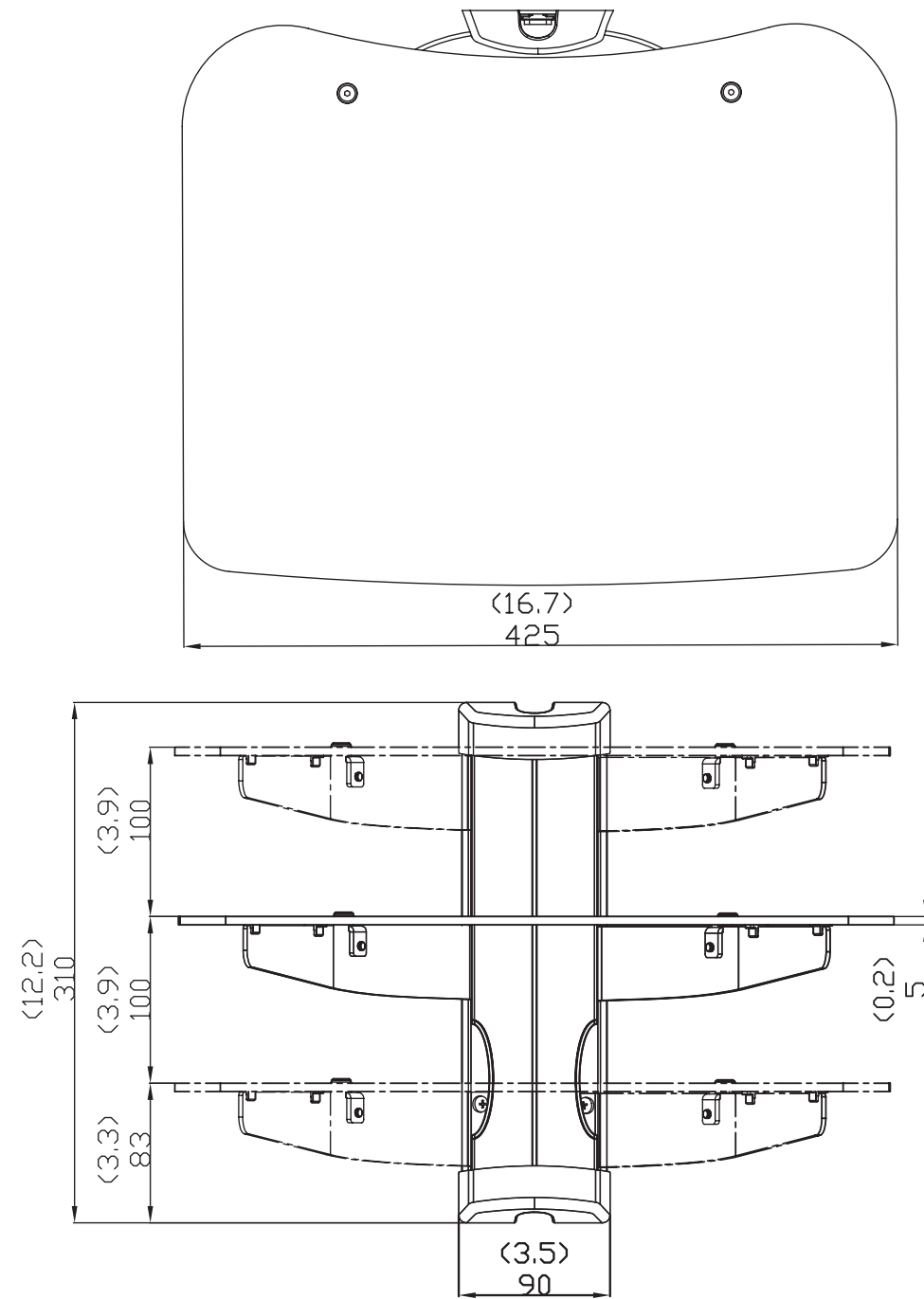


SINGLE COMPONENT SHELF



NOTES: UNLESS OTHERWISE SPECIFIED
1. MAXIMUM WEIGHT CAPACITY: 30 LBS