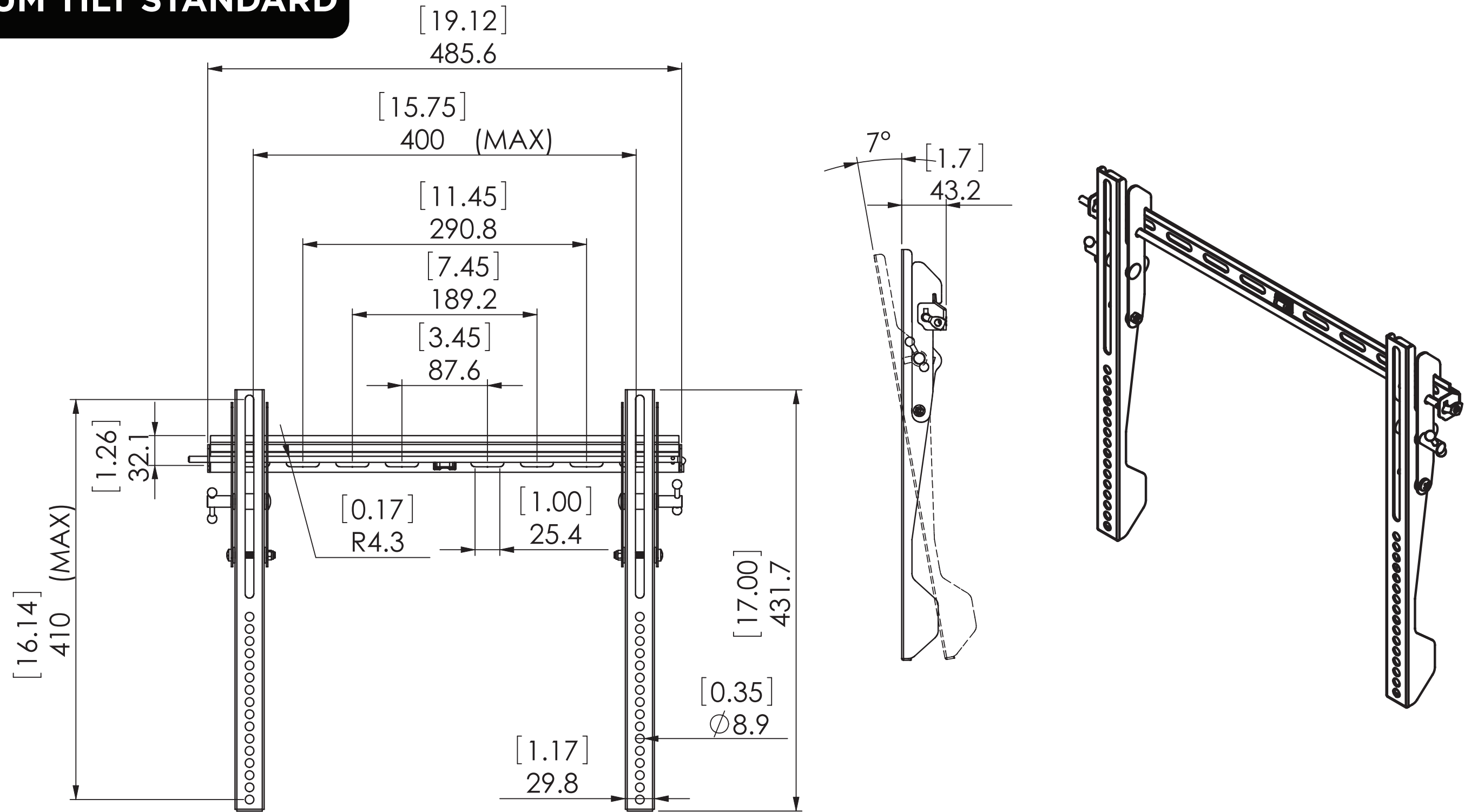


# MEDIUM TILT STANDARD



NOTES: UNLESS OTHERWISE SPECIFIED

1. VESA STANDARD COMPATIBILITY (WIDTH X HEIGHT): 200X200 / 200X400 / 300X400 / 400X400 /
2. MAXIMUM VESA MOUNTING CONFIGURATION: 400X400 MM
3. SCREEN SIZE COMPATIBILITY: MOST 24-55" SCREENS
4. MAXIMUM WEIGHT CAPACITY: 100 LBS
5. PRODUCT COLOR: BLACK
6. VIEWING ANGLE +7°