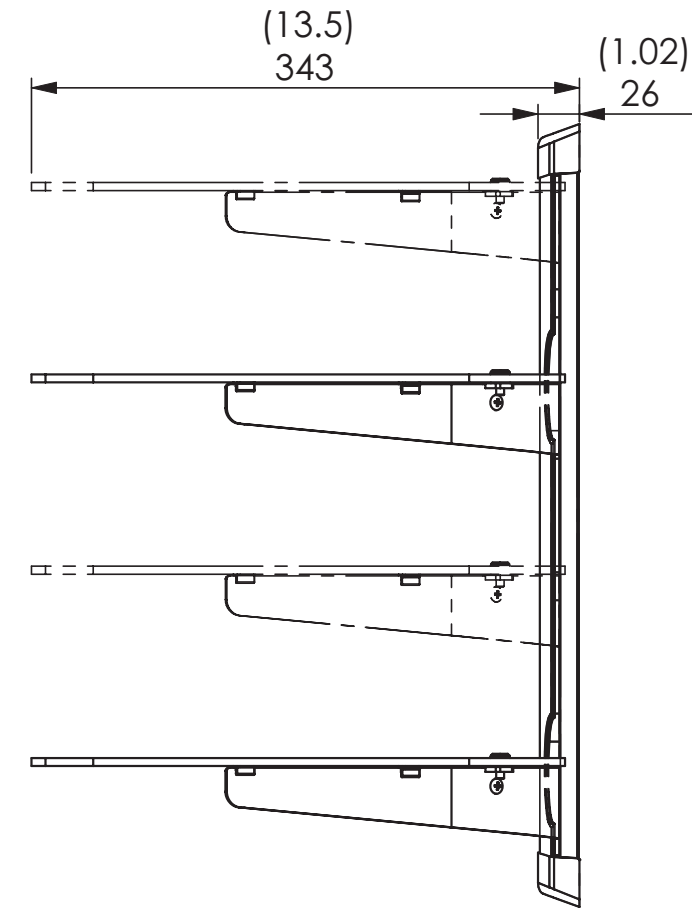
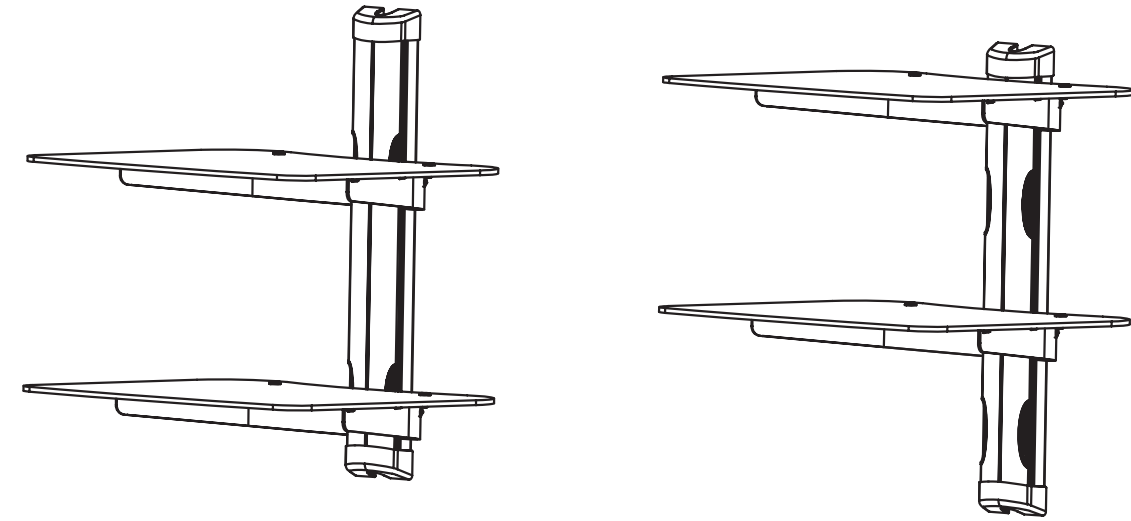
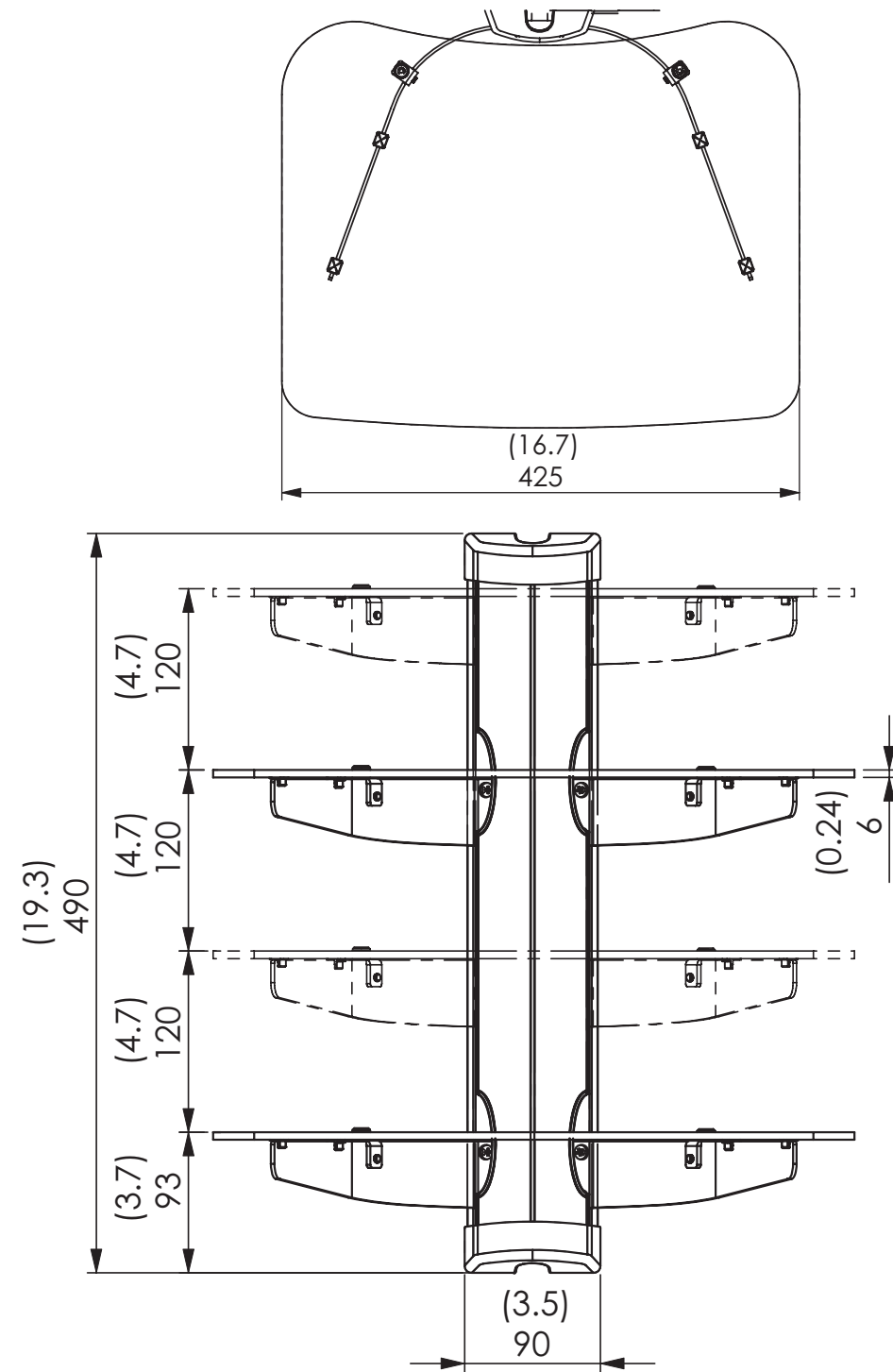


DOUBLE COMPONENT SHELF



NOTES: UNLESS OTHERWISE SPECIFIED
1. MAXIMUM WEIGHT CAPACITY: 60 LBS
*Maximum weight of 30lbs per shelf