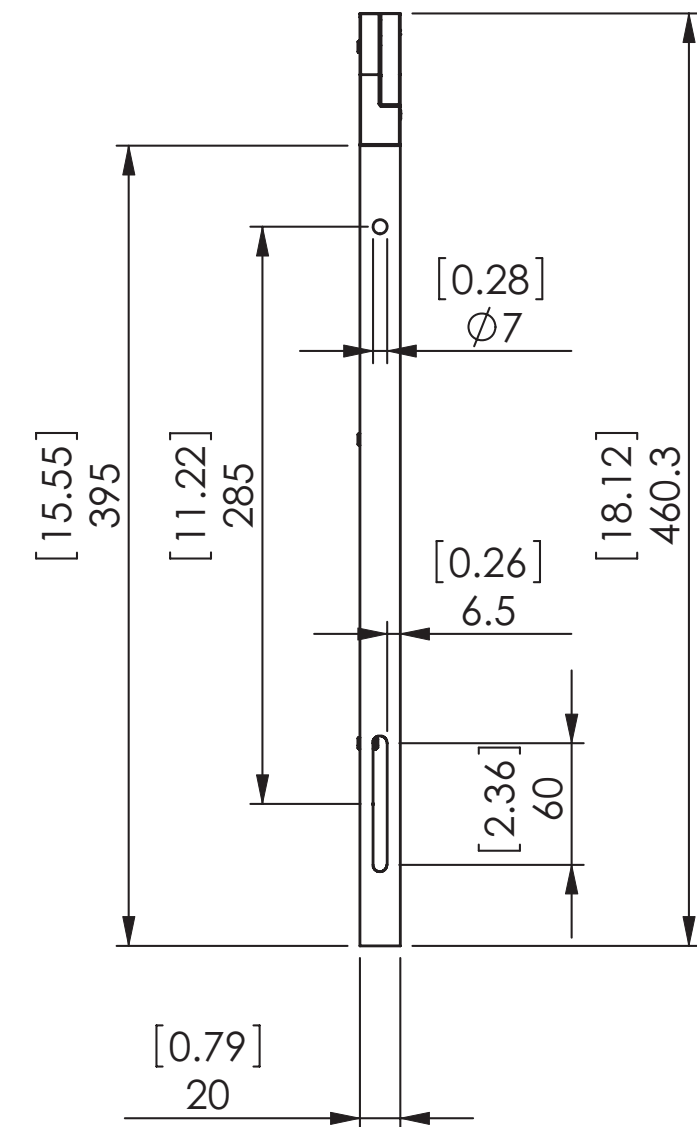
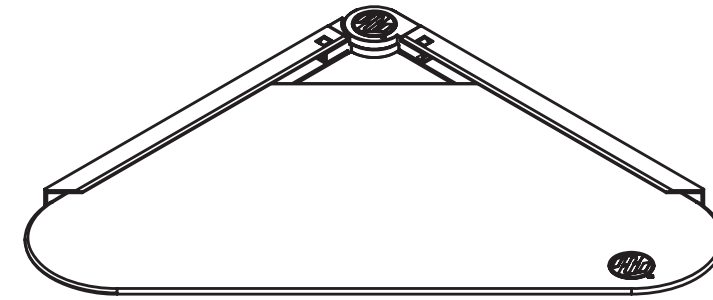
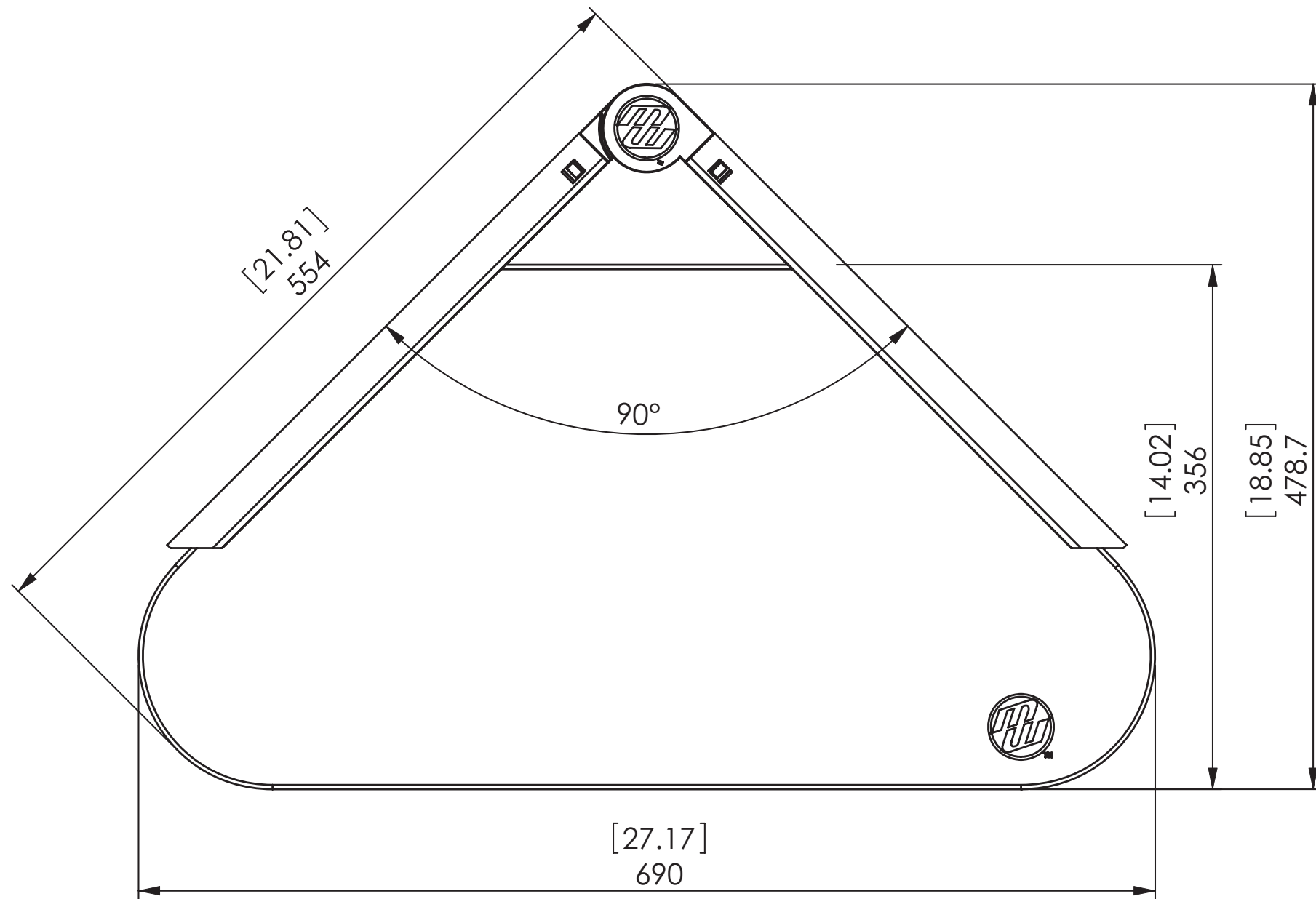


CORNER COMPONENT SHELF



- NOTES: UNLESS OTHERWISE SPECIFIED
1. MAXIMUM WEIGHT CAPACITY: 30 LBS (13.6KG)
 2. PRODUCT COLOR: BLACK